

# Medium Pressure – Double Window - Flanged



Plain

**Plain** – No indicator. For direct visual inspection of liquid. Mounts in any direction.

Model	Body Material
050	Carbon Steel
270	316 Stainless
280	Iron (3" and 4" only)

For High Pressure Models add HP to Model Number. Example: 050HP

## Features

- ◆ Sizes 3/4" to 12" Flanged
- ◆ 150# ANSI Rated
- ◆ Bolt-On Body Design
- ◆ Radial Sealing
- ◆ Multiple Lengths on some sizes

## Ratings\*

- ◆ **Medium Pressure Rated**  
1/2"-4": 200 psi @ 150°F  
200 psi @ 225°F  
6"-12": 150 psi @ 150°F
- ◆ **High Pressure Rated (HP)**  
All Sizes: 275 psi @ 100°F  
205 psi @ 350°F

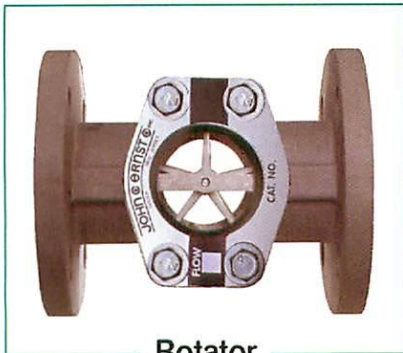
## Materials (Wetted)

- ◆ **Medium Pressure Rated**  
Glass: Tempered Soda Lime<sup>1</sup>  
Seals: Neoprene  
Viton in 316SS  
Rotator/Flapper: Delrin  
Bridge/Pin: 316SS
- ◆ **High Pressure Rated (HP)**  
Glass: Tempered Boro  
Seals: Neoprene  
Viton in 316SS  
Rotator/Flapper: Ryton  
Bridge/Pin: 316SS

<sup>1</sup>Annealed Boro for 3" and 4"

\*Temperature ratings are dependent on Seal material.

**Note: Not applicable for steam service. See page 6.**



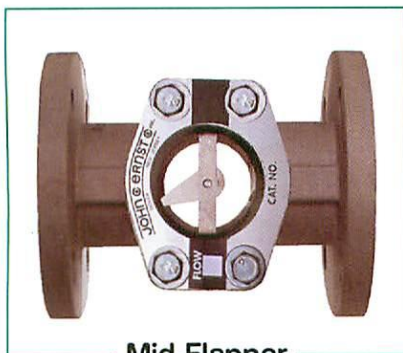
Rotator

**Rotator** – Paddlewheel indicator used for clear media to enhance flow indication. Any direction.

Model	Body Material
051	Carbon Steel
271	316 Stainless
281	Iron (3" and 4" only)

For High Pressure Models add HP to Model Number. Example: 051HP

Maximum unit size for Rotator is 4".

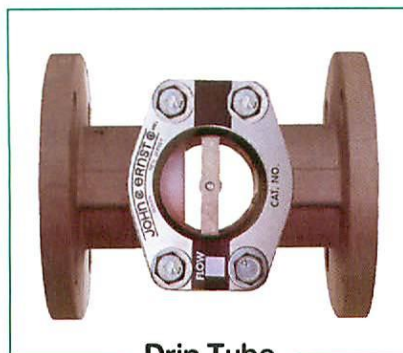


Mid-Flapper

**Mid-Flapper** – Mid-flapper to indicate flow in either direction. Not for vertical flows down.

Model	Body Material
052	Carbon Steel
272	316 Stainless
282	Iron (3" and 4" only)

For High Pressure Models add HP to Model Number. Example: 052HP

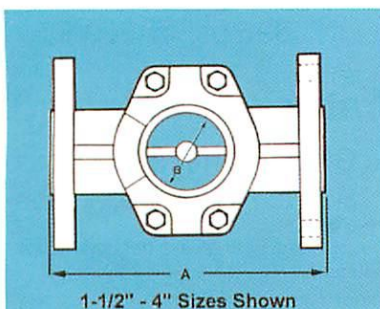


Drip Tube

**Drip Tube** – Designed for very low flows so fluid drip off tube insert. Mainly vertical mounts.

Model	Body Material
053	Carbon Steel
273	316 Stainless
283	Iron (3" and 4" only)

For High Pressure Models add HP to Model Number. Example: 053HP



1-1/2" - 4" Sizes Shown

"D" Dimension is the outside viewing depth of the unit.

All sizes above 2" do not have a bridge and pin assembly that positions the glass in place.

Unit Size	Dimensions in Inches & (cm)			Wt. lbs	
	A*	B	D		
3/4	4-5/8 (11.8)	-	1-1/2 (3.8)	3-1/4 (8.3)	6
1	5 (12.7)	-	1-1/2 (3.8)	3-1/4 (8.3)	7
1-1/2	6-1/2 (16.5)	-	2 (5.1)	4-5/16 (11.0)	12
2	7 (17.8)	7-7/8 (20.0)	2 (5.1)	4-5/16 (11.0)	14
3	8 (20.3)	9-3/8 (23.8)	3 (7.6)	7-9/16 (19.2)	28
4	9 (22.9)	11 (27.9)	3 (7.6)	7-9/16 (19.2)	42
6	14-1/4 (36.2)	-	4 (10.2)	13-1/4 (33.7)	85

\*Some sizes have two lengths available

SIGHT FLOW INDICATORS