

FWX-1

FWX-2

FWX-3

(LARGER SIZES ONLY -> 2" to 8")

FWX-1

FWX-2

FWX-1..
FWX-2..
FWX-3..

FWX-1, FWX-2:
Threaded NPT or BSP Female

FWX-3

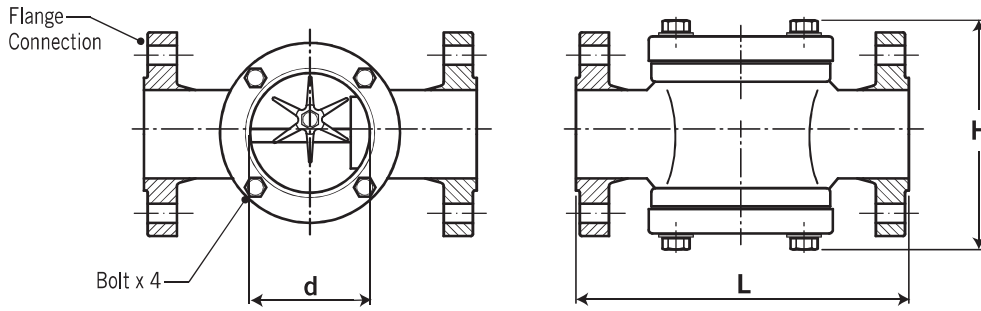
FWX-1

FWX-3

FWX-2

FWX-3

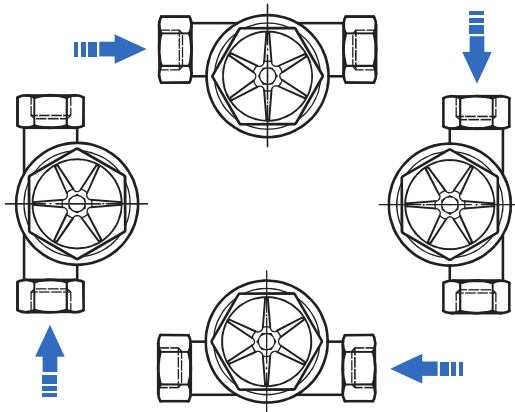
Double Window, Flange type



unit=mm

Size	2"	2½"	3"	4"	5"	6"	8"
d	65	84	84	109	148	170	222
H	146.5	164	183.5	212.5	247	276	339
L	220	270	270	320	380	420	500
L (option)	220	260	260	310	---	---	---
L (300LB)	---	---	---	---	---	---	---

Flow Direction



Any flow direction available.

Ordering Information

FWX	Code	Model	Code	Connection Size									
	1	Single Window		(1) 1/4" (2) 3/8" (3) 1/2" (4) 3/4"									
	2	Double Windows		(5) 1" (6) 1¼" (7) 1½" (8) 2"									
	3	Double Windows, Flange type		(Codes 9 - 15 for FWX-3 only)									
	Code	Type		(9) 2" (10) 2½" (11) 3" (12) 4"									
	T	Thread type	F	Flange type	(13) 5" (14) 6" (15) 8"								
	Code	Body Material		Code	Connection Rating								
	S	SS316			(1) NPT (2) BSP								
	Code	Gasket Material			(3) JIS 10K (4) ANSI 150# (5) option								
	T	Teflon											
	Code	Indicator Type		Code	CE 1128 Mark Request								
	A	Impeller- ABS		1	with label sticker								
	B	Impeller- PVDF		2	with S.S nameplate								
	C	Impeller-option		3	stamp								
				4	without								
<table border="1" style="width: 100%; height: 20px;"> <tr> <td style="width: 25%;"></td> <td style="width: 25%;"></td> <td style="width: 25%;"></td> <td style="width: 25%;"></td> </tr> </table>							+	<table border="1" style="width: 100%; height: 20px;"> <tr> <td style="width: 25%;"></td> <td style="width: 25%;"></td> <td style="width: 25%;"></td> <td style="width: 25%;"></td> </tr> </table>					Complete Ordering Code