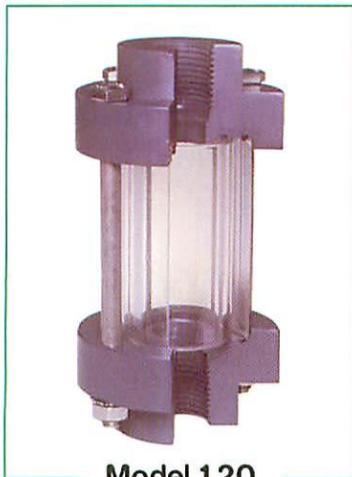
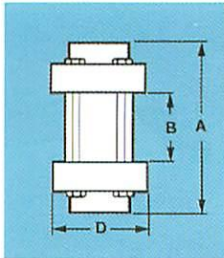


Cylinder Glass – Plastic - Threaded



Model 120



Model	End Material
120	Polypropylene
121	PVC
122	Teflon (1" Max)

These units utilize a double wall construction and are used to indicate flow or clarity of highly corrosive or ultra-pure liquids (with Teflon seals) compatible with Pyrex Glass.

Unit Size	Dimensions in Inches			Wt. Lbs
	B	A	D	
1/2 3/4	2-1/4	4-3/4	2-1/2	1
1	2-1/2	5-1/4	3	1
1-1/4 1-1/2	2-1/2	5-7/8	3-1/2	2
2	3-1/8	7-3/8	4	3
3	2-3/8	3-3/8	5-1/2	5

Features

- ◆ Sizes 1/2" to 3" NPT
- ◆ Double Wall Cylinders
- ◆ No Metal Wetted Parts

Ratings

- ◆ Polypropylene: 50 psi @ 185°F
- ◆ PVC: Varies up to 140°F
- ◆ Teflon: Varies up to 225°F

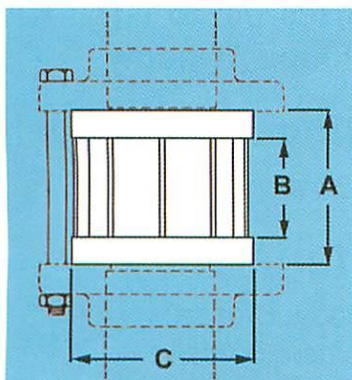
Materials

- ◆ Inner Glass: Borosilicate
- ◆ Outer Glass: Acrylic Plastic
- ◆ Seals: Viton O-Rings

Cylinder Glass – Plastic - Flanged



Model 220



Model	End Material
220	Polypropylene
221	PVC
222	Teflon
223	CPVC
224	Kynar (PVDF)

These units utilize a double wall construction and are used to indicate flow or clarity of highly corrosive or ultra-pure liquids (with Teflon seals) compatible with Pyrex Glass.

Unit Size	Dimensions in Inches			Wt lbs.
	A	B	C	
1-1/2	4-1/2	2-1/2	3-3/8	2
2	5	3	4-1/8	2
3	5-1/4	3-1/4	5-3/8	3
4	5-5/8	3-5/8	6-7/8	5
6	6-5/16	4-5/16	8-3/4	7
8	6-5/16	4-5/16	11	10

Features

- ◆ Sizes 1-1/2" to 8" Flanged
- ◆ To Fit 150lb ANSI & DIN
- ◆ Double Wall Cylinders
- ◆ No Metal Wetted Parts

Ratings

- ◆ Polypropylene: Varies to 185°F
- ◆ PVC: Varies up to 140°F
- ◆ Teflon: Varies up to 225°F
- ◆ CPVC: Varies up to 180°F
- ◆ Kynar: Varies up to 293°F

Materials

- ◆ Inner Glass: Borosilicate
- ◆ Outer Glass: Acrylic Plastic
- ◆ Seals: Viton O-Rings