

FRP
VENTS

SERIES *	STYLE	SIZES
P8540AH	End-of-Line Pressure / Vacuum	2" - 12"
P18540AH	Pipe-Away Pressure / Vacuum	2" - 12"
P7800AH	End-of-Line Pressure	2" - 24"
P17800AH	Pipe-Away Pressure or Vacuum	2" - 12"
P6240AH	End-of-Line Vacuum	2" - 12"
P16240AH	Side Mounted Vacuum	2" - 12"
P53300A	Emergency Pressure Manhole Cover	16" - 24"
P4970A	Gauge Hatch	4" - 8"

(*Note: "A" in the part number specifies Derakane® 470 construction. Substitute "B" to specify Furan or "C" to specify Derakane® 411 construction.)



OBJECTIVE

Protectoseal FRP Vents are designed to provide pressure and / or vacuum relief in applications that control hazardous vapors that would attack conventional metallic vents or components. Through the use of carefully chosen resins, (e.g. Derakane® 470, Derakane® 411 and Furan) a wide variety of tank storage and product conservation applications are served. Such applications can be found in the chemical, petroleum, petrochemical, pulp and paper, waste treatments, ultra pure water and food & beverage industries. FRP eliminates the need for exotic metal construction.

TECHNIQUE

Normal Conservation Breather Vents feature pressure and vacuum pallets in the vent housing that retard intake of air and escape of vapors under normal conditions. Pallets open and close to permit only that intake or outlet relief necessary to remain within permissible working limits and avoid damage to tanks, low pressure vessels and piping. In pipe-away models, relieved vapors are piped away through a flanged connection.

Emergency Relief Pressure Vents are designed to provide emergency relief capacity beyond that furnished by the normal operating vent on tanks, low pressure vessels and piping.

SPECIAL FEATURES

Fast Inspection, Easy Maintenance. Rugged design and light weight provide for easy, convenient handling for installation, inspection, maintenance and cleaning.

Maintains Accurate Pressure Settings. Factory tested and certified prior to shipment to assure every unit meets Protectoseal's stringent requirements. Leakage on vent pallets at standard settings is less than 1 cu.ft. of standard air per hour at 90% of the set pressure.

One-piece Construction. The one-piece construction of Protectoseal's vent bodies eliminates the possibility of product leakage through seams and ensures the integrity of the vent through an extended service life.

Automatic Condensate Drainage. Self-draining body design keeps condensate away from seating surface. Vent is protected from freezing, binding and clogging.

Air-Cushioned Seating. Protectoseal patented and exclusive Protectoseal Air-Cushioned Seating for low evaporation losses. FEP film diaphragms are standard, other materials can be furnished on special request. The pallets have peripheral guiding and center stabilizing stem to ensure proper alignment and tight seating.

Numerous Sizes Available. All vents in the sizes shown above mate with standard flanged 125# ANSI, API (20" or 24" only) or DIN PN 16 bolting specifications. Other drilling patterns are also available upon special request.

PRO-FLOW III® Sizing and Selection Software. Use PRO-FLOW III® to select the correct size unit for pressure and vacuum relief calculated in accordance with API 2000, ISO 28300, NFPA 30 and OSHA 1910.106.

CONSTRUCTION

Vents made from FRP resins are highly resistant to chemically hostile environments, yet extremely rugged and durable in construction. Protectoseal's "H" Series FRP models feature no exposed metal parts and plastic external hardware for long service life in corrosive applications. All pallets are constructed of the same heavy-duty laminated resin as used in the vent body.

"A" Designation - Derakane® 470 Vinyl Ester Resin body, cover and pallet; FEP diaphragms; Polyethylene screen; non-metallic external hardware; Derakane® 470 Resin coated steel or uncoated lead weights, if required.

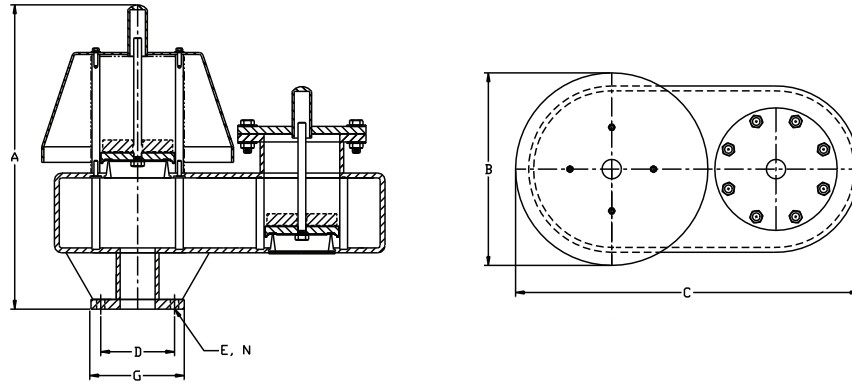
"B" Designation - Furan body, cover and pallet; FEP diaphragms; Polyethylene screen; non-metallic external hardware; Furan coated steel or uncoated lead weights, if required.

"C" Designation - Derakane® 411 body, cover and pallet; FEP diaphragms; Polyethylene screen; non-metallic external hardware; Derakane® 411 coated steel or uncoated lead weights, if required.

Available Options.

- Alternate diaphragm materials
- "Double Veil" coated weights and Alloy C276 weights

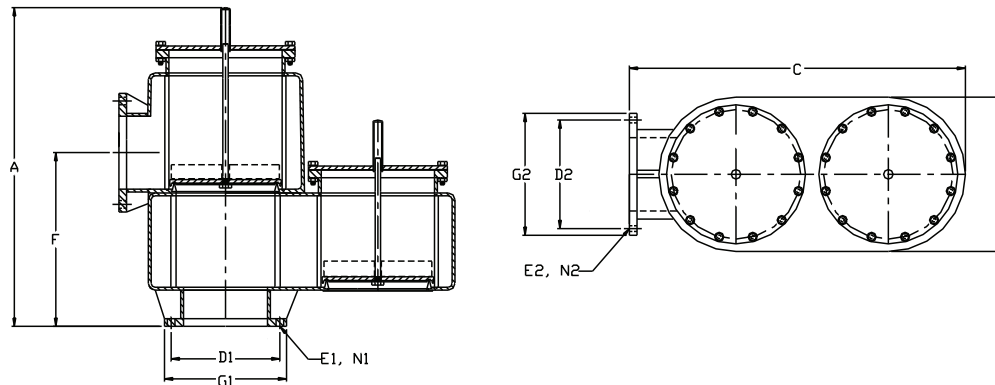
Series P8540AH - FRP End-of-Line Pressure / Vacuum Breather Vent



Cat. No.*	Flange Size	Ht. A	Width B	Length C	B.C. D	Dia. G	Dia. E	Holes N
P8542AH	2"	19 ¹ / ₂ "	12 ³ / ₈ "	22"	4 ³ / ₄ "	6"	3/4"	4
P8543AH	3"	20 ¹ / ₂ "	14"	22 ⁷ / ₈ "	6"	7 ¹ / ₂ "	3/4"	4
P8544AH	4"	25 ³ / ₄ "	16 ¹ / ₄ "	30 ³ / ₈ "	7 ¹ / ₂ "	9"	3/4"	8
P8546AH	6"	29"	16 ¹ / ₄ "	30 ⁷ / ₈ "	9 ¹ / ₂ "	11"	7/8"	8
P8548AH	8"	40 ⁷ / ₈ "	21"	41 ¹ / ₈ "	11 ³ / ₄ "	13 ¹ / ₂ "	7/8"	8
P8550AH	10"	40 ⁷ / ₈ "	21"	41 ¹ / ₈ "	14 ¹ / ₄ "	16"	1"	12
P8552AH	12"	43 ⁵ / ₈ "	24 ³ / ₈ "	46"	17"	19"	1"	12

*Note: "A" in the part number specifies Derakane® 470 construction. Substitute "B" to specify Furan or "C" to specify Derakane® 411 construction.

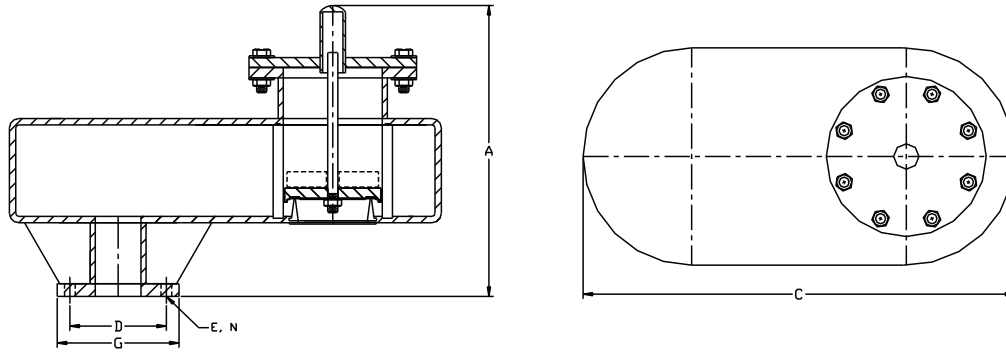
Series P18540AH - FRP Pipe-Away Pressure / Vacuum Breather Vent



Cat. No.*	Flange Size Inlet x Outlet	Ht. A	Width B	Length C	F	H	B.C. D1	B.C. D2	Dia. G1	Dia. G2	Dia. E1	Dia. E2	Holes N1	Holes N2
P18542AH2	2" x 2"	21 ⁷ / ₈ "	10 ³ / ₄ "	23 ⁷ / ₈ "	10 ³ / ₈ "	8"	4 ³ / ₄ "	4 ³ / ₄ "	6"	6"	3/4"	3/4"	4	4
P18542AH3	2" x 3"	21 ⁷ / ₈ "	10 ³ / ₄ "	23 ⁷ / ₈ "	11"	8"	4 ³ / ₄ "	6"	6"	7 ¹ / ₂ "	3/4"	3/4"	4	4
P18543AH3	3" x 3"	23 ¹ / ₄ "	10 ³ / ₄ "	23 ⁷ / ₈ "	11 ³ / ₈ "	8"	6"	6"	7 ¹ / ₂ "	7 ¹ / ₂ "	3/4"	3/4"	4	4
P18543AH4	3" x 4"	23 ¹ / ₄ "	10 ³ / ₄ "	23 ⁷ / ₈ "	12 ¹ / ₈ "	8"	6"	6"	7 ¹ / ₂ "	9"	3/4"	3/4"	4	8
P18544AH4	4" x 4"	23 ¹ / ₄ "	15 ³ / ₈ "	33 ⁵ / ₈ "	15 ³ / ₈ "	11 ¹ / ₄ "	7 ¹ / ₂ "	7 ¹ / ₂ "	9"	9"	3/4"	3/4"	8	8
P18544AH6	4" x 6"	29 ¹ / ₂ "	15"	33 ⁵ / ₈ "	15 ³ / ₄ "	11 ¹ / ₄ "	7 ¹ / ₂ "	9 ¹ / ₂ "	9"	11"	3/4"	7/8"	8	8
P18546AH6	6" x 6"	29 ¹ / ₂ "	15"	33 ¹ / ₂ "	16 ¹ / ₂ "	11 ¹ / ₄ "	9 ¹ / ₂ "	9 ¹ / ₂ "	11"	11"	7/8"	7/8"	8	8
P18546AH8	6" x 8"	29 ¹ / ₂ "	15"	33 ¹ / ₂ "	17 ¹ / ₈ "	11 ¹ / ₄ "	9 ¹ / ₂ "	11 ³ / ₄ "	11"	13 ¹ / ₂ "	7/8"	7/8"	8	8
P18548AH10	8" x 10"	41"	20 ¹ / ₄ "	44 ¹ / ₈ "	23 ¹ / ₂ "	14"	11 ³ / ₄ "	14 ¹ / ₄ "	13 ¹ / ₂ "	16"	7/8"	1"	8	12
P18550AH12	10" x 12"	41"	20 ¹ / ₄ "	44 ¹ / ₈ "	24 ¹ / ₂ "	14"	14 ¹ / ₄ "	17"	16"	19"	1"	1"	12	12
P18552AH14	12" x 14"	45"	22 ¹ / ₂ "	49"	27 ³ / ₄ "	15 ¹ / ₄ "	17"	18 ³ / ₄ "	19"	21"	1"	1 ¹ / ₈ "	12	12

*Note: "A" in the part number specifies Derakane® 470 construction. Substitute "B" to specify Furan and "C" to specify Derakane® 411 construction.

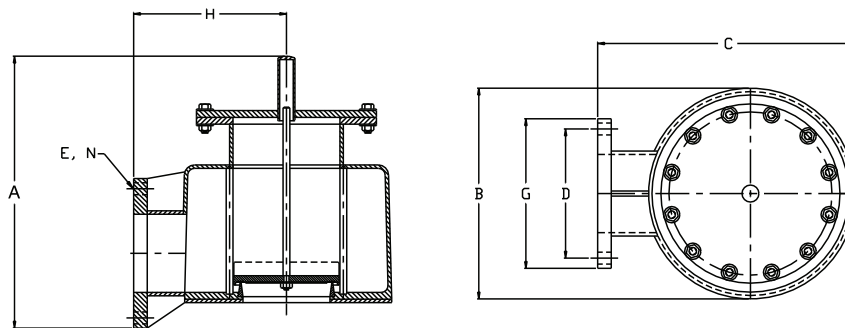
Series P6240AH - FRP End-of-Line Vacuum Relief Vent



Cat. No.*	Flange Size	Ht. A	Width B	Length C	B.C. D	Dia. G	Dia. E	Holes N
P6242AH	2"	13 ³ / ₄ "	10 ³ / ₄ "	21 ¹ / ₄ "	4 ³ / ₄ "	6"	3/4"	4
P6243AH	3"	15 ⁵ / ₈ "	10 ³ / ₄ "	21 ¹ / ₄ "	6"	7 ¹ / ₂ "	3/4"	4
P6244AH	4"	19 ¹ / ₈ "	15"	29 ¹ / ₄ "	6"	7 ¹ / ₂ "	3/4"	8
P6246AH	6"	19 ¹ / ₈ "	15"	29 ¹ / ₄ "	9 ¹ / ₂ "	11"	7/8"	8
P6248AH	8"	26 ¹ / ₄ "	20"	40"	11 ³ / ₄ "	13 ¹ / ₂ "	7/8"	8
P6250AH	10"	26 ¹ / ₂ "	20"	40"	14 ¹ / ₄ "	16"	1"	12
P6252AH	12"	29 ¹ / ₄ "	22 ¹ / ₂ "	44 ¹ / ₄ "	17"	19"	1"	12

*Note: "A" in the part number specifies Derakane® 470 construction. Substitute "B" to specify Furan and "C" to specify Derakane® 411 construction.

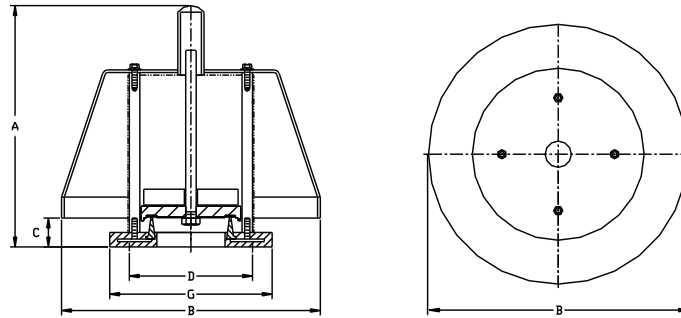
Series P16240AH - FRP Side Mounted Vacuum Relief Vent



Cat. No.*	Flange Size	Valve Size	Ht. A	Width B	Length C	Width H	B.C. D	Dia. G	Dia. E	Holes N
P16240AH2	2"	2"	14 ¹ / ₄ "	10 ³ / ₄ "	13 ³ / ₈ "	8"	4 ³ / ₄ "	6"	3/4"	4
P16240AH3	3"	3"	15 ³ / ₄ "	10 ³ / ₄ "	13 ³ / ₈ "	8"	6"	7 ¹ / ₂ "	3/4"	4
P16240AH4	4"	4"	18 ³ / ₄ "	15 ³ / ₈ "	18 ³ / ₄ "	11 ¹ / ₄ "	7 ¹ / ₂ "	9"	3/4"	8
P16240AH6	6"	6"	18 ¹ / ₈ "	15"	18 ³ / ₄ "	11 ¹ / ₄ "	9 ¹ / ₂ "	11"	7/8"	8
P16246AH8	8"	6"	18 ³ / ₄ "	15"	18 ³ / ₄ "	11 ¹ / ₄ "	11 ³ / ₄ "	13 ¹ / ₂ "	7/8"	8
P16248AH10	10"	8"	26 ¹ / ₈ "	20 ¹ / ₄ "	24 ¹ / ₈ "	14"	14 ¹ / ₄ "	16"	1"	12
P16250AH12	12"	10"	26 ³ / ₄ "	20 ¹ / ₄ "	24 ¹ / ₄ "	14"	17"	19"	1"	12

*Note: "A" in the part number specifies Derakane® 470 construction. Substitute "B" to specify Furan and "C" to specify Derakane® 411 construction.

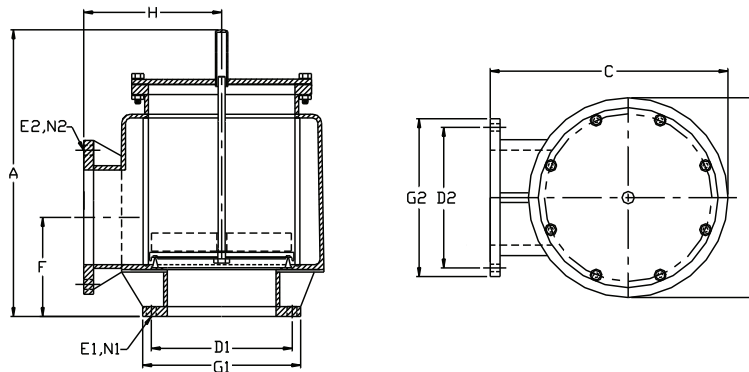
Series P7800AH - FRP End-of-Line Pressure Relief Vent



Cat. No.*	Flange Size	Ht. A	Width B	C	B.C. D	Dia. G	Dia. E	Holes N
P7802AH	2"	12 ¹ / ₈ "	12 ³ / ₈ "	2"	4 ³ / ₄ "	6"	⁵ / ₈ -11UNC	4 Studs
P7803AH	3"	11 ⁵ / ₈ "	12 ³ / ₈ "	1 ¹ / ₂ "	6"	7 ¹ / ₂ "	³ / ₄ "	4
P7804AH	4"	11 ¹ / ₄ "	11 ¹ / ₂ "	1 ⁵ / ₈ "	7 ¹ / ₂ "	9"	³ / ₄ "	8
P7806AH	6"	15 ⁵ / ₈ "	16 ¹ / ₄ "	2 ⁴ / ₇ "	9 ¹ / ₂ "	11"	⁷ / ₈ "	8
P7808AH	8"	17 ³ / ₈ "	16 ¹ / ₄ "	2"	11 ³ / ₄ "	13 ¹ / ₂ "	⁷ / ₈ "	8
P7810AH	10"	18 ¹ / ₄ "	21 ¹ / ₂ "	2"	14 ¹ / ₄ "	16"	1"	12
P7812AH	12"	24 ³ / ₄ "	22 ¹ / ₄ "	3"	17"	19"	1"	12
P7816AHASA	16"	19 ³ / ₄ "	28"	¹ / ₂ "	21 ¹ / ₄ "	23 ¹ / ₂ "	1 ¹ / ₈ "	16
P7820AHASA	20"	21"	32"	⁵ / ₈ "	25"	27 ¹ / ₂ "	1 ¹ / ₄ "	20
P7820AHAPI	20"	21"	32"	⁵ / ₈ "	23 ¹ / ₂ "	26"	³ / ₄ "	16
P7824AHASA	24"	24 ⁵ / ₈ "	40"	¹ / ₂ "	29 ¹ / ₂ "	32"	1 ³ / ₈ "	20
P7824AHAPI	24"	24 ⁵ / ₈ "	40"	¹ / ₂ "	27 ¹ / ₂ "	30"	³ / ₄ "	20

*Note: "A" in the part number specifies Derakane® 470 construction. Substitute "B" to specify Furan and "C" to specify Derakane® 411 construction.

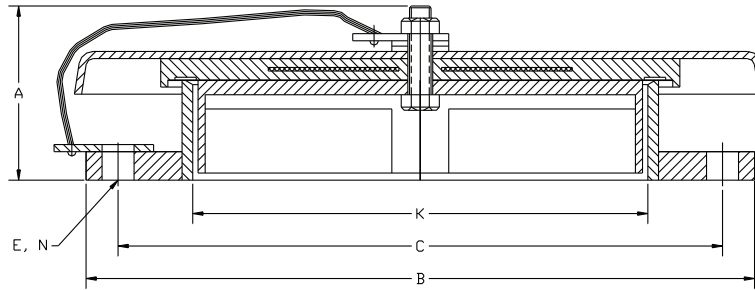
Series P17800AH - FRP Pipe-Away Pressure or Vacuum Breather Vent



Cat. No.*	Flange Size Inlet x Outlet	Ht. A	Width B	Length C	F	H	B.C. D1	B.C. D2	Dia. G1	Dia. G2	Dia. E1	Dia. E2	Holes N1	Holes N2
P17802AH2	2" x 2"	16 ³ / ₄ "	10 ³ / ₄ "	13 ³ / ₈ "	5 ¹ / ₂ "	8"	4 ³ / ₄ "	4 ³ / ₄ "	6"	6"	³ / ₄ "	³ / ₄ "	4	4
P17802AH3	2" x 3"	16 ³ / ₄ "	10 ³ / ₄ "	13 ³ / ₈ "	6 ¹ / ₈ "	8"	4 ³ / ₄ "	6"	6"	7 ¹ / ₂ "	³ / ₄ "	³ / ₄ "	4	4
P17803AH3	3" x 3"	18 ¹ / ₂ "	10 ³ / ₄ "	13 ³ / ₈ "	6 ¹ / ₂ "	8"	6"	6"	7 ¹ / ₂ "	7 ¹ / ₂ "	³ / ₄ "	³ / ₄ "	4	4
P17803AH4	3" x 4"	18 ¹ / ₂ "	10 ³ / ₄ "	13 ⁷ / ₈ "	7 ¹ / ₄ "	8"	6"	7 ¹ / ₂ "	7 ¹ / ₂ "	9"	³ / ₄ "	³ / ₄ "	4	8
P17804AH4	4" x 4"	21 ³ / ₄ "	15 ³ / ₈ "	18 ³ / ₄ "	7 ¹ / ₂ "	11 ¹ / ₄ "	7 ¹ / ₂ "	7 ¹ / ₂ "	9"	9"	³ / ₄ "	³ / ₄ "	8	8
P17804AH6	4" x 6"	21 ³ / ₄ "	15"	18 ⁷ / ₈ "	7 ⁷ / ₈ "	11 ¹ / ₄ "	7 ¹ / ₂ "	9 ¹ / ₂ "	9"	11"	³ / ₄ "	⁷ / ₈ "	8	8
P17806AH6	6" x 6"	21 ¹ / ₄ "	15"	18 ³ / ₄ "	8 ⁵ / ₈ "	11 ¹ / ₄ "	9 ¹ / ₂ "	9 ¹ / ₂ "	11"	11"	⁷ / ₈ "	⁷ / ₈ "	8	8
P17806AH8	6" x 8"	21 ¹ / ₄ "	15"	18 ³ / ₄ "	9 ¹ / ₄ "	11 ¹ / ₄ "	9 ¹ / ₂ "	11 ³ / ₄ "	11"	13 ¹ / ₂ "	⁷ / ₈ "	⁷ / ₈ "	8	8
P17808AH10	8" x 10"	29"	20 ¹ / ₄ "	24 ¹ / ₈ "	10 ⁷ / ₈ "	14"	11 ³ / ₄ "	14 ¹ / ₄ "	13 ¹ / ₂ "	16"	⁷ / ₈ "	1"	8	12
P17810AH12	10" x 12"	29 ¹ / ₄ "	20 ¹ / ₄ "	24 ¹ / ₄ "	11"	14"	14 ¹ / ₄ "	17"	16"	19"	1"	1"	12	12
P17812AH14	12" x 14"	30 ³ / ₄ "	22 ¹ / ₂ "	26 ¹ / ₂ "	13 ¹ / ₈ "	15 ¹ / ₄ "	17"	18 ³ / ₄ "	19"	21"	1"	1 ¹ / ₈ "	12	12

*Note: "A" in the part number specifies Derakane® 470 construction. Substitute "B" to specify Furan and "C" to specify Derakane® 411 construction.

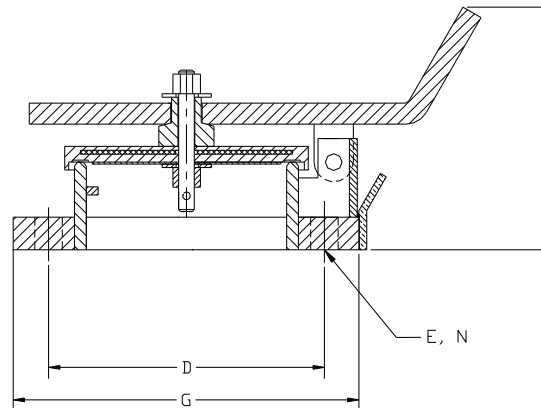
Series P53300A - FRP Emergency Pressure Manhole Cover Vent



Cat. No.*	Flange Size	I.D. K	Ht. A	Width B	B.C. C	Dia. E	Holes N
P53316AASA	16"	16"	6 ³ / ₄ "	23 ¹ / ₂ "	21 ¹ / ₄ "	1 ¹ / ₈ "	16
P53318AASA	18"	16"	6 ³ / ₄ "	25"	22 ³ / ₄ "	1 ¹ / ₄ "	16
P53320AASA	20"	20"	6 ³ / ₄ "	27 ¹ / ₂ "	25"	1 ¹ / ₄ "	20
P53320AAPI	20"	20"	6 ³ / ₄ "	26"	23 ¹ / ₂ "	³ / ₄ "	16
P53324AASA	24"	24"	6 ³ / ₄ "	32"	29 ¹ / ₂ "	1 ³ / ₈ "	20
P53324AAPI	24"	24"	6 ³ / ₄ "	30"	27 ¹ / ₂ "	³ / ₄ "	20

*Note: The first "A" in the part number specifies Derakane® 470 construction. Substitute "B" to specify Furan and "C" to specify Derakane® 411 construction.

Series P4980A - FRP Gauge Hatch



Cat. No.*	Flange Size	Ht. A	B.C. D	O.D. G	Dia. E	Holes N
P4974A	4"	4"	7 ¹ / ₂ "	9"	³ / ₄ "	8
P4976A	6"	5"	9 ¹ / ₂ "	11"	⁷ / ₈ "	8
P4978A	8"	5 ¹ / ₂ "	11 ³ / ₄ "	13 ¹ / ₂ "	⁷ / ₈ "	8

*Note: "A" in the part number specifies Derakane® 470 construction. Substitute "B" suffix to specify Furan and "C" to specify Derakane® 411 construction.

STANDARD PRESSURE AND/OR VACUUM SETTINGS (Consult factory for settings outside of STANDARD range.)

Series	Flange Size	MINIMUM SETTINGS		MAXIMUM SETTINGS	
		Pressure oz./in. ²	Vacuum oz./in. ²	Pressure oz./in. ²	Vacuum oz./in. ²

FRP END-OF-LINE PRESSURE RELIEF VENT

P7802HA	2"	1.00	N/A	48.00	N/A
P7803AH	3"	1.00	N/A	48.00	N/A
P7804AH	4"	1.00	N/A	48.00	N/A
P7806AH	6"	1.00	N/A	48.00	N/A
P7808AH	8"	1.00	N/A	48.00	N/A
P7810AH	10"	1.00	N/A	48.00	N/A
P7812AH	12"	1.00	N/A	48.00	N/A
P7816AHASA	16"	1.00	N/A	12.00	N/A
P7820AHASA	20"	1.00	N/A	10.00	N/A
P7820AHAPI	20"	1.00	N/A	10.00	N/A
P7824AHASA	24"	1.00	N/A	10.00	N/A
P7824AHAPI	24"	1.00	N/A	10.00	N/A

FRP PIPE-AWAY PRESSURE OR VACUUM RELIEF VENT

P17802AH2	2" x 2"	0.50	0.50	48.00	16.00
P17802AH3	2" x 3"	0.50	0.50	48.00	16.00
P17803AH3	3" x 3"	0.50	0.50	48.00	16.00
P17803AH4	3" x 4"	0.50	0.50	48.00	16.00
P17804AH4	4" x 4"	0.50	0.50	48.00	16.00
P17804AH6	4" x 6"	0.50	0.50	48.00	16.00
P17806AH6	6" x 6"	0.50	0.50	48.00	16.00
P17806AH8	6" x 8"	0.50	0.50	48.00	16.00
P17808AH10	8" x 10"	0.50	0.50	48.00	16.00
P17810AH12	10" x 12"	0.50	0.50	48.00	16.00
P17812AH14	12" x 14"	0.50	0.50	48.00	16.00

FRP EMERGENCY PRESSURE MANHOLE COVER VENT

P53316ASA	16"	1.73	N/A	6.0	N/A
P53318ASA	18"	1.73	N/A	6.0	N/A
P53320NASA	20"	1.73	N/A	6.0	N/A
P53320AAPI	20"	1.73	N/A	6.0	N/A
P53324NASA	24"	1.73	N/A	6.0	N/A
P53324AAPI	24"	1.73	N/A	6.0	N/A

FRP GAUGE HATCH

P4974A	4"	0.75	N/A	N/A	N/A
P4976A	6"	0.75	N/A	N/A	N/A
P4978A	8"	0.75	N/A	N/A	N/A

Series	Flange Size	MINIMUM SETTINGS		MAXIMUM SETTINGS	
		Pressure oz./in. ²	Vacuum oz./in. ²	Pressure oz./in. ²	Vacuum oz./in. ²

FRP END-OF-LINE PRESSURE / VACUUM BREATHER VENT

P8542AH	2"	0.50	0.50	48.00	16.00
P8543AH	3"	0.50	0.50	48.00	16.00
P8544AH	4"	0.50	0.50	48.00	16.00
P8546AH	6"	0.50	0.50	48.00	16.00
P8548AH	8"	0.50	0.50	48.00	16.00
P8550AH	10"	0.50	0.50	48.00	16.00
P8552AH	12"	0.50	0.50	48.00	16.00

FRP END-OF-LINE PRESSURE / VACUUM BREATHER VENT

P18542AH2	2" x 2"	0.50	0.50	48.00	16.00
P18542AH3	2" x 3"	0.50	0.50	48.00	16.00
P18543AH3	3" x 3"	0.50	0.50	48.00	16.00
P18543AH4	3" x 4"	0.50	0.50	48.00	16.00
P18544AH4	4" x 4"	0.50	0.50	48.00	16.00
P18546AH6	6" x 6"	0.50	0.50	48.00	16.00
P18546AH8	6" x 8"	0.50	0.50	48.00	16.00
P18548AH10	8" x 10"	0.50	0.50	48.00	16.00
P18550AH12	10" x 12"	0.50	0.50	48.00	16.00
P18552AAH14	12" x 14"	0.50	0.50	48.00	16.00

FRP END-OF-LINE VACUUM RELIEF VENT

P6242AH	2"	N/A	0.50	N/A	16.00
P6243AH	3"	N/A	0.50	N/A	16.00
P6244AH	4"	N/A	0.50	N/A	16.00
P6246AH	6"	N/A	0.50	N/A	16.00
P6248AH	8"	N/A	0.50	N/A	16.00
P6250AH	10"	N/A	0.50	N/A	16.00
P6252AH	12"	N/A	0.50	N/A	16.00

FRP SIDE MOUNTED VACUUM RELIEF VENT

P16240AH2	2"	N/A	0.50	N/A	16.00
P16240AH3	3"	N/A	0.50	N/A	16.00
P16240AH4	4"	N/A	0.50	N/A	16.00
P16240AH6	6"	N/A	0.50	N/A	16.00
P16246AH8	8"	N/A	0.50	N/A	16.00
P16248AH10	10"	N/A	0.50	N/A	16.00
P16250AH12	12"	N/A	0.50	N/A	16.00