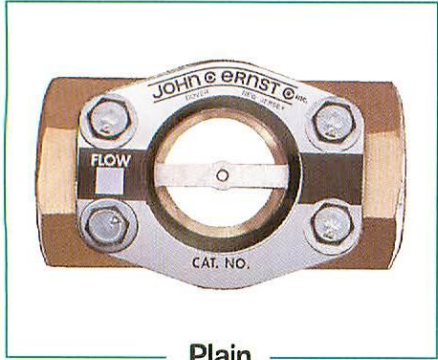


Medium Pressure – Double Window - Threaded

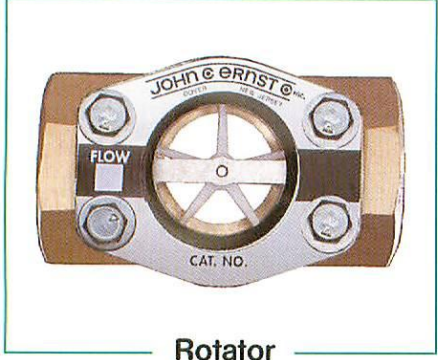


Plain

Plain – No indicator. For direct visual inspection of liquid. Mounts in any direction.

Model	Body Material
020	Carbon Steel
130	Bronze
170	316 Stainless
180	Iron

For High Pressure Models add HP to Model Number. Example: 020HP

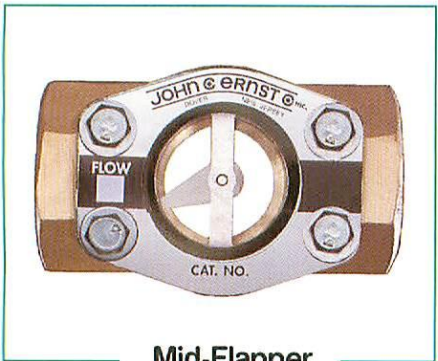


Rotor

Rotor – Paddlewheel indicator used for clear media to enhance flow indication. Any direction.

Model	Body Material
021	Carbon Steel
131	Bronze
171	316 Stainless
181	Iron

For High Pressure Models add HP to Model Number. Example: 021HP

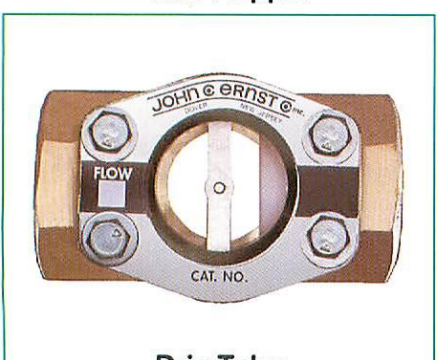


Mid-Flapper

Mid-Flapper – Mid-flapper to indicate flow in either direction. Not for vertical flows down.

Model	Body Material
022	Carbon Steel
132	Bronze
172	316 Stainless
182	Iron

For High Pressure Models add HP to Model Number. Example: 022HP



Drip Tube

Drip Tube – Designed for very low flows so fluid drips off tube insert. Mainly vertical mounts.

Model	Body Material
023	Carbon Steel
133	Bronze
173	316 Stainless
183	Iron

For High Pressure Models add HP to Model Number. Example: 023HP

Features

- ◆ Sizes 1/4" to 2" NPT
- ◆ 150# ANSI Rated
- ◆ Bolt-On Body Design
- ◆ Radial Sealing
- ◆ Socketweld Available
- ◆ Shields Available

Ratings*

- ◆ Medium Pressure Rated
 - 200 psi @ 150°F
 - 150 psi @ 225°F
- ◆ Higher Pressure Rated (HP)
 - 360 psi @ 150°F
 - 200 psi @ 350°F

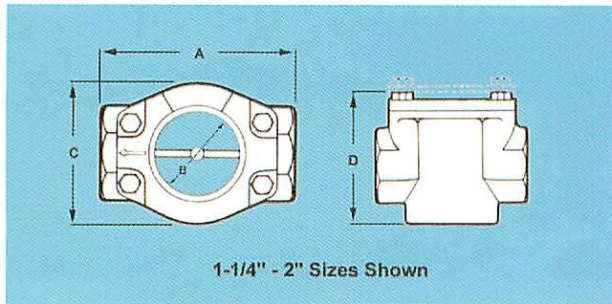
Materials (Wetted)

- ◆ Medium Pressure Rated
 - Glass: Temp Soda Lime
 - Seals: Neoprene
 - Viton in 316SS
 - Rotator/Flapper: Delrin
 - Bridge/Pin: 316SS
- ◆ Higher Pressure Rated (HP)
 - Glass: Temp Borosilicate
 - Seals: Viton
 - Rotator/Flapper: Ryton
 - Bridge/Pin: 316SS

*Temperature ratings are dependent upon seal material

Drip Tube material may be either 316SS or Teflon.

Note: Not applicable for steam service. See page 4 and 5.



Unit Size	Dimensions in Inches & (cm)				Wt lbs
	A	B	C	D	
1/4, 3/8	3-5/8 ¹	1-1/8	2	2-3/8	2
1/2	(9.2)	(2.9)	(5.1)	(6.0)	
3/4	4-1/4 ²	1-1/2	2-9/16	3-1/4	3
1	(10.8)	(3.8)	(6.5)	(8.3)	
1-1/4	5-5/8 ³	2	3-5/16	4-5/16	6
1-1/2	(14.3)	(5.1)	(8.4)	(11.0)	
2	5-5/8 ⁴	2	3-5/16	4-5/16	6
	(14.3)	(5.1)	(8.4)	(11.0)	

Exceptions to "A" above for Bronze: ¹ 3-1/4, ² 4-1/8, ³ 5-1/4, ⁴ 5-1/2